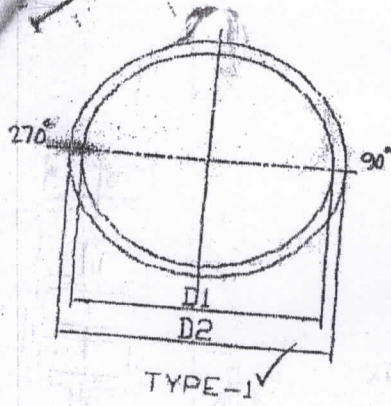
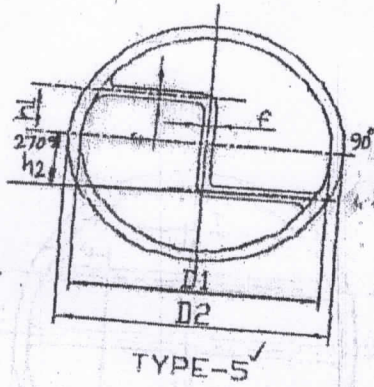


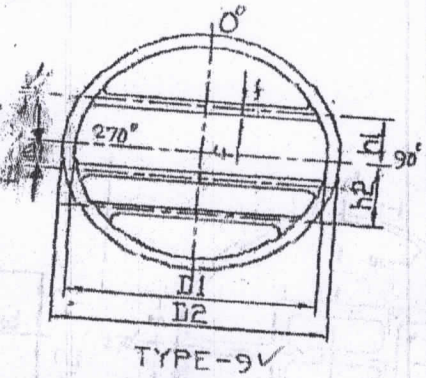
GASKET TYPE



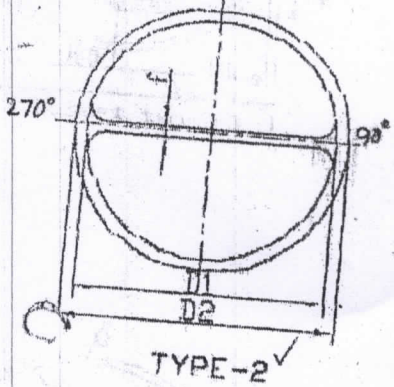
TYPE-1 ✓



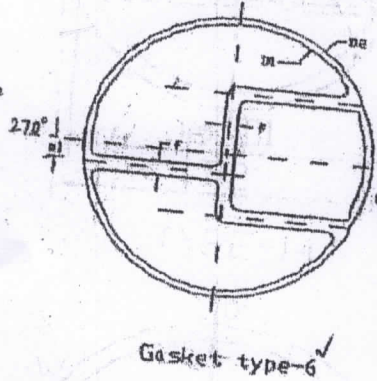
TYPE-5 ✓



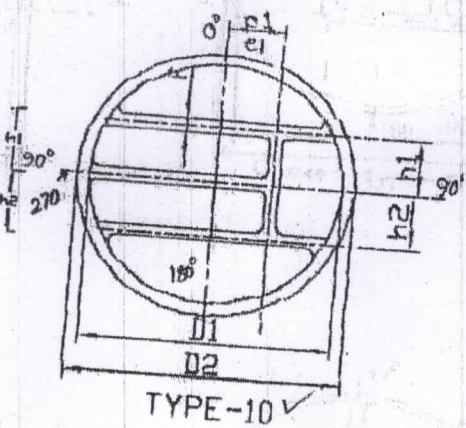
TYPE-9V ✓



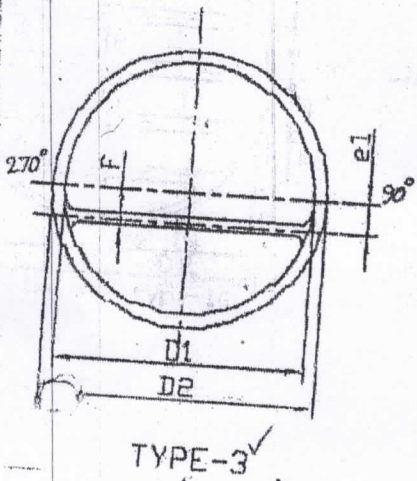
TYPE-2 ✓



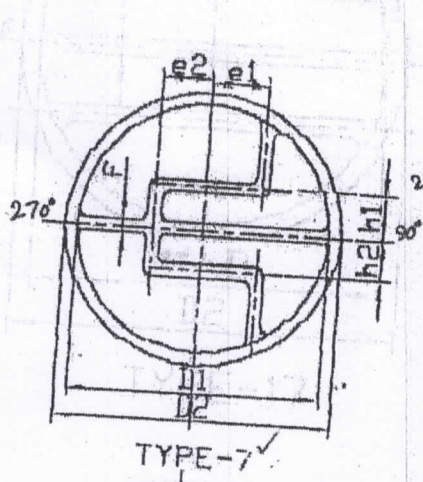
Gasket type-6 ✓



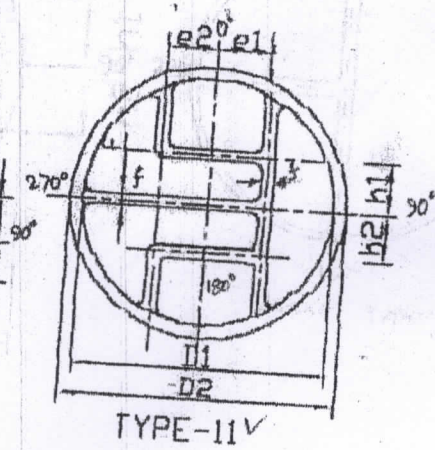
TYPE-10 ✓



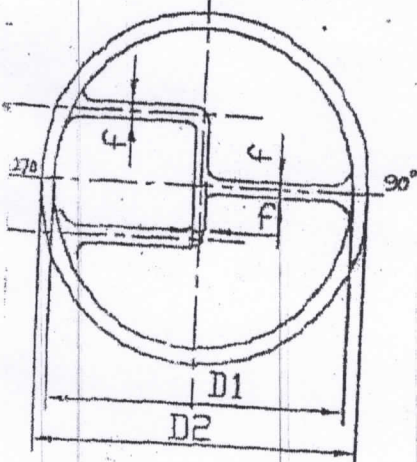
TYPE-3 ✓



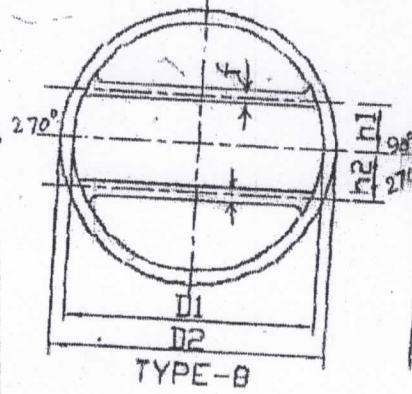
TYPE-7 ✓



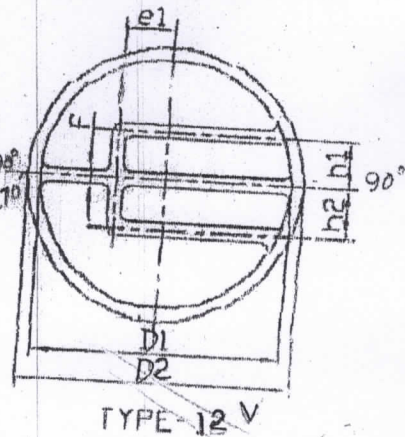
TYPE-11V ✓



TYPE-4 ✓

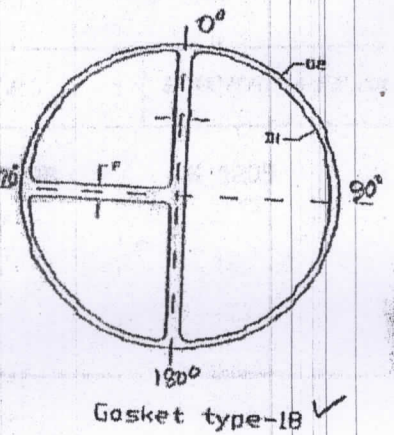
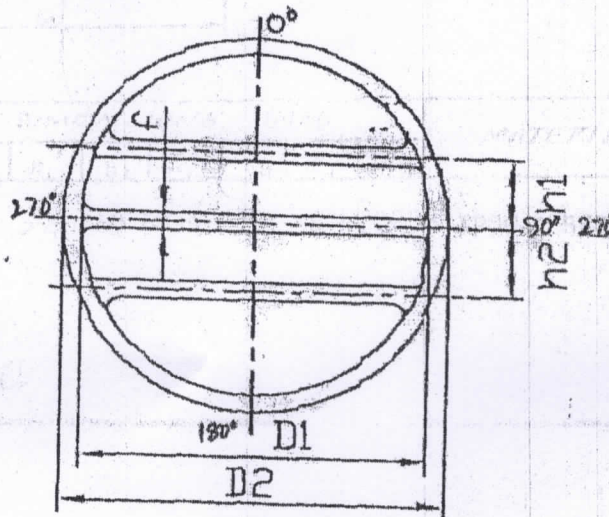
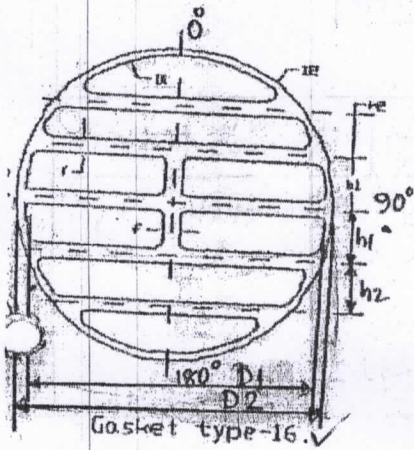
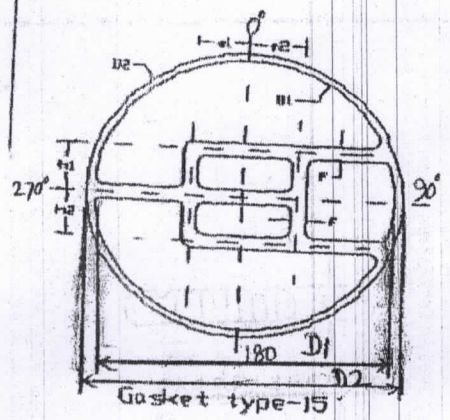
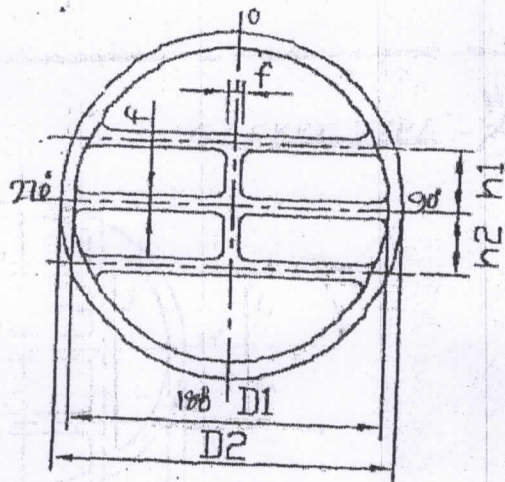
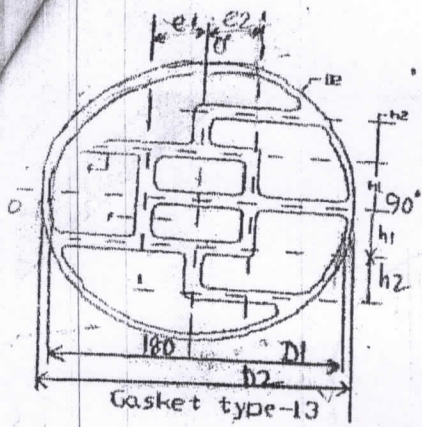


TYPE-8 ✓



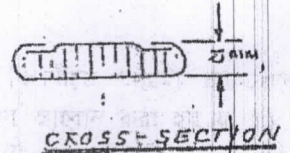
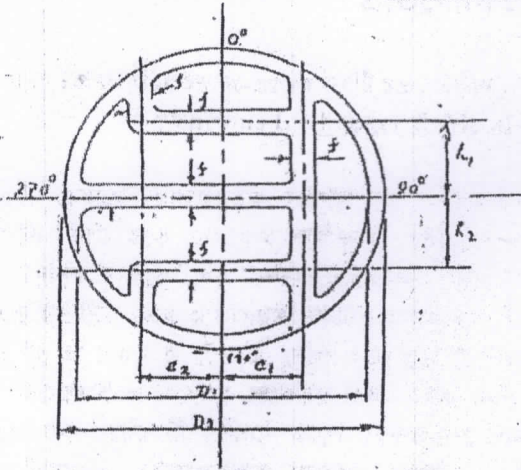
TYPE-12V ✓

*Shrey*  
05.03.09



*Handwritten signature and date*  
05.03.09

GASKET TYPE -



ITEM NO.	STORE'S CODE NO	DIMENSIONS (MM)						MATERIAL	EXCHANGER NO.	
		f	D <sub>1</sub>	D <sub>2</sub>	h <sub>1</sub>	h <sub>2</sub>	c <sub>1</sub>			c <sub>2</sub>
1	4245533812	10	349	369	61.4	61.4	56.1	56.1	IRON ASBESTOS	E 1205
MP-4-R										